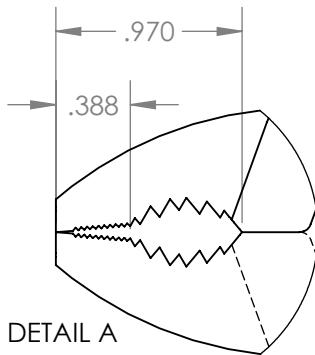
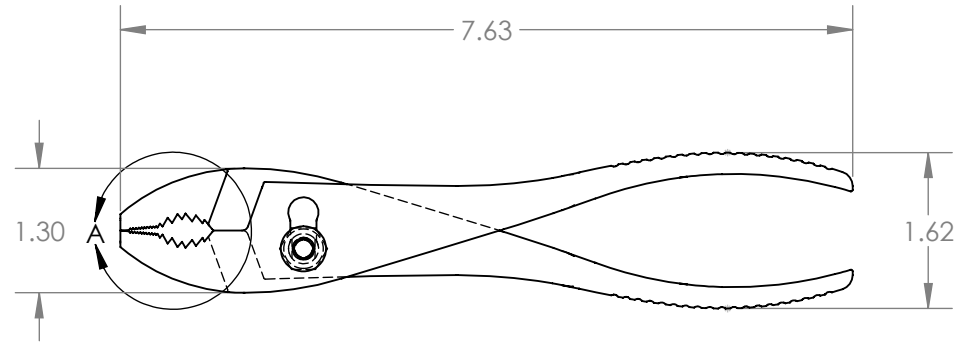
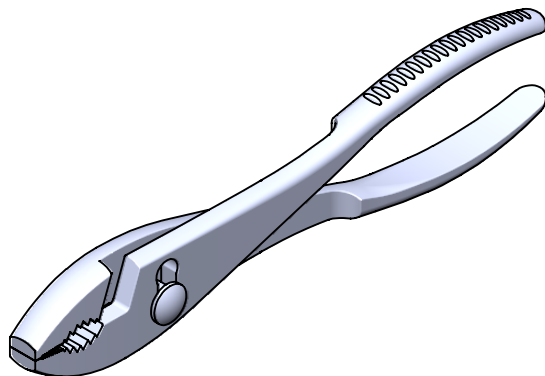
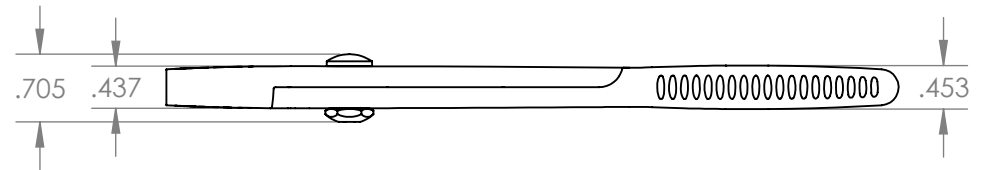



MAX OPEN CAPACITY:
2.000



DETAIL A
SERRATION LENGTH
SCALE 1 : 1



UNLESS OTHERWISE SPECIFIED: DIMENSIONS ARE IN INCHES			TOLERANCES: X.XX= ±0.25 X.XXX= ±0.063 X.XXXX= -0.0015		 <p>The Global Source for Stainless Steel Tools</p>
DRAWN	NAME	SIGN	DATE		
APP'VD	A.T.		05.20.19		
MATERIAL: 400 SERIES STAINLESS STEEL					TITLE: 8" STAINLESS STEEL 2-POSTION PLIERS
<i>THIS DRAWING IS THE PROPERTY OF STERITOOL, INC. ANY REPRODUCTIONS OR MODIFICATIONS OF THIS DRAWING OR ITS CONTENTS WITHOUT THE CONSENT OF STERITOOL, INC. IS PROHIBITED.</i>					PART NO. 10131
					SCALE: 1:2